



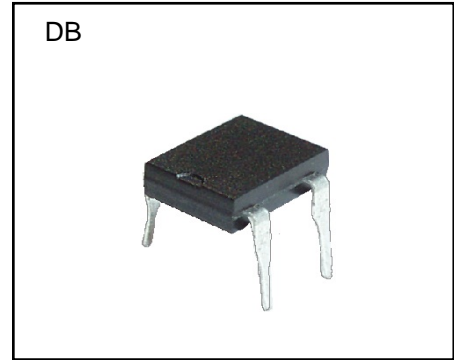
### DB201 THRU DB207

#### FEATURES

- Glass passivated chip junction
- Low forward voltage drop
- High surge overload rating of 50 Amperes peak
- Ideal for printed circuit board
- High temperature soldering guaranteed:  
260°C for 10 seconds

#### MECHANICAL DATA

Case: Molded plastic, DB  
 Epoxy: UL 94V-O rate flame retardant  
 Terminals: Leads solderable per MIL-STD-202,  
 method 208 guaranteed  
 Mounting position: Any  
 Weight: 0.02ounce, 0.4gram



#### Maximum Ratings and Electrical Characteristics

Ratings at 25°C ambient temperature unless otherwise specified.  
 Single phase, half wave, 60Hz, resistive or inductive load.  
 For capacitive load, derate current by 20%.

	Symbols	DB201	DB202	DB203	DB204	DB205	DB206	DB207	Units
Maximum Recurrent Peak Reverse Voltage	$V_{RRM}$	50	100	200	400	600	800	1000	Volts
Maximum RMS Voltage	$V_{RMS}$	35	70	140	280	420	560	700	Volts
Maximum DC Blocking Voltage	$V_{DC}$	50	100	200	400	600	800	1000	Volts
Maximum Average Forward Rectified Current at $T_A=40^\circ C$	$I_{(AV)}$	2.0							Amp
Peak Forward Surge Current, 8.3ms single half-sine-wave superimposed on rated load (JEDEC method)	$I_{FSM}$	60							Amp
Maximum Forward Voltage at 1.0A DC and 25°C	$V_F$	1.1							Volts
Maximum Reverse Current at $T_A=25^\circ C$ at Rated DC Blocking Voltage $T_A=125^\circ C$	$I_R$	5.0 500							uAmp
Typical Junction Capacitance (Note 1)	$C_J$	25							pF
Typical Thermal Resistance (Note 2)	$R_{\theta JA}$	40							°C/W
Typical Thermal Resistance (Note 2)	$R_{\theta JL}$	15							°C/W
Operating and Storage Temperature Range	$T_J, T_{stg}$	-55 to +150							°C

#### NOTES:

- 1- Measured at 1 MHz and applied reverse voltage of 4.0 VDC.
- 2- Thermal resistance from junction to ambient and from junction to lead mounted on P.C.B. with 0.5 x 0.5" (13 x 13mm) copper pads





RATINGS AND CHARACTERISTIC CURVES

FIG.1- MAXIMUM NON-REPETITIVE FORWARD SURGE CURRENT PER BRIDGE ELEMENT

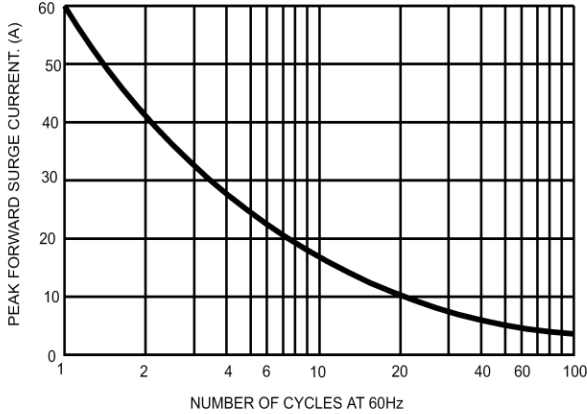


FIG.2- MAXIMUM FORWARD CURRENT DERATING CURVE

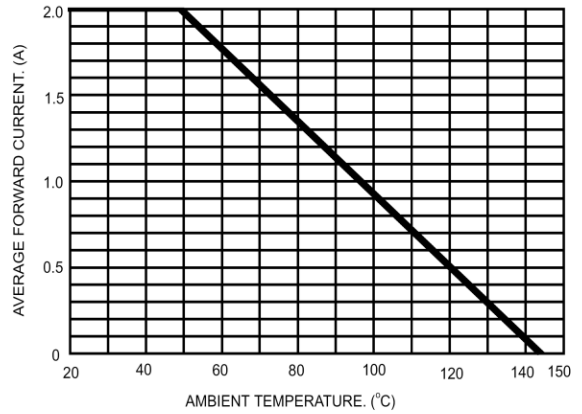


FIG.3- TYPICAL INSTANTANEOUS FORWARD CHARACTERISTICS PER BRIDGE ELEMENT

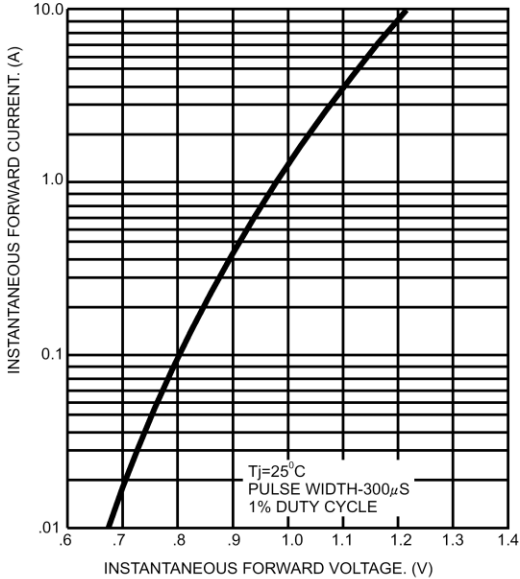
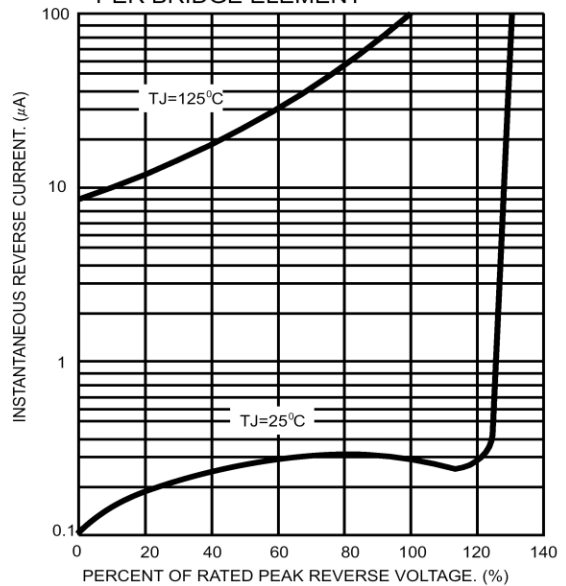


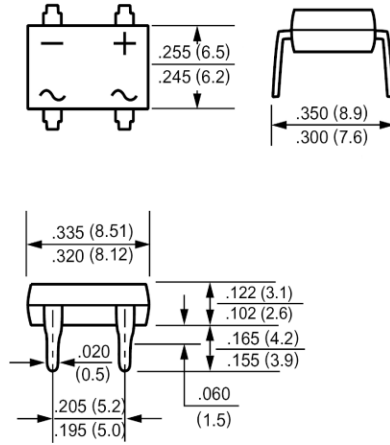
FIG.4- TYPICAL REVERSE CHARACTERISTICS PER BRIDGE ELEMENT





Package Dimension

DB



Dimensions in inches and (millimeters)

