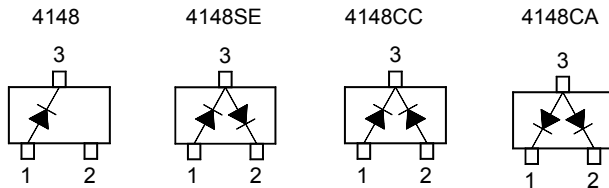
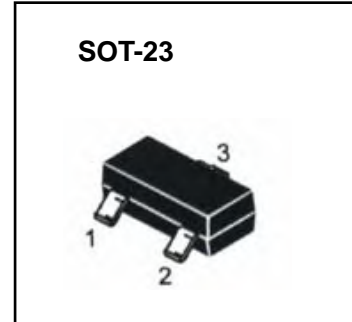




MMBD4148/SE/CC/CA

Features

- Fast Switching Speed
- For General Purpose Switching Applications
- High Conductance



Absolute Maximum Ratings Ta = 25°C

Parameter	Symbol	Rating	Unit
Reverse Voltage	V _{RM}	100	V
Peak Repetitive Peak Reverse Voltage	V _{RPM}	75	
Working Peak Reverse Voltage	V _{RWM}		
DC Blocking Voltage	V _R		
RMS Reverse Voltage	V _{RMS}	53	mA
Average Rectified Output Current	I _O	150	
Peak Forward Surge Current	I _{FM}	300	A
Peak Forward Surge Current @ t=1μs	I _{FSM}	2	
@ t=1s		1	
Power Dissipation	P _d	350	mW
Thermal Resistance Junction to Ambient	R _{θJA}	357	°C/W
Junction Temperature	T _J	150	°C
Storage Temperature range	T _{stg}	-55 to 150	

Electrical Characteristics Ta = 25°C

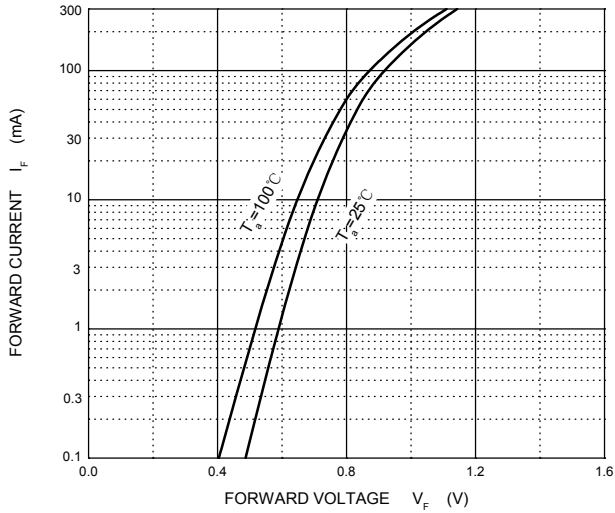
Parameter	Symbol	Test Conditions	Min	Typ	Max	Unit
Reverse breakdown voltage	V _R	I _R = 100 uA	75			V
Forward voltage	V _{F1}	I _F = 1 mA			0.715	
	V _{F2}	I _F = 10 mA			0.855	
	V _{F3}	I _F = 50 mA			1	
	V _{F4}	I _F = 150 mA			1.25	
Reverse voltage leakage current	I _{R1}	V _R = 75 V			2.5	uA
	I _{R2}	V _R = 20 V			25	nA
Capacitance between terminals	C _T	V _R = 0 V, f= 1 MHz			2	pF
Reverse recovery time	t _{rr}	I _F =I _R =10mA, I _{rr} =0.1xI _R , R _L =100Ω			4	ns

Marking

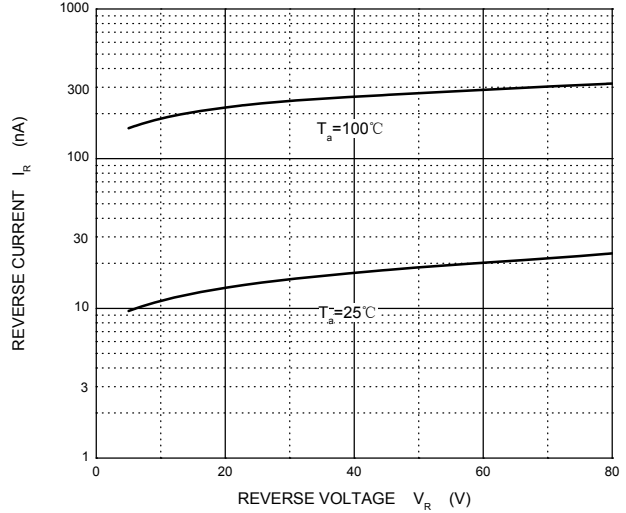
NO	MMBD4148	MMBD4148SE	MMBD4148CC	MMBD4148CA
Marking	A6*	D4	D5	D6



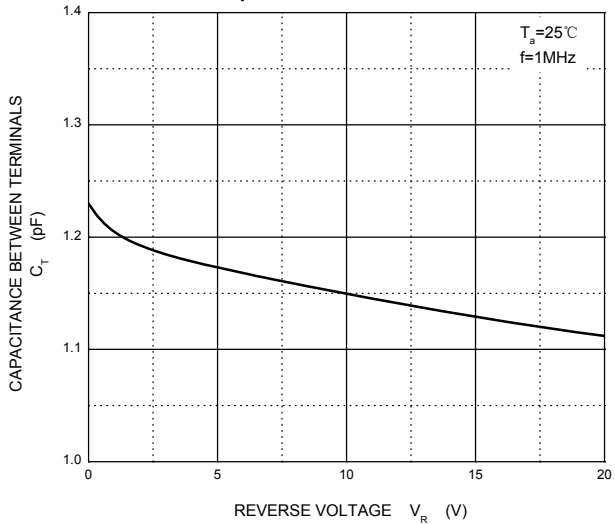
Typical Characteristics



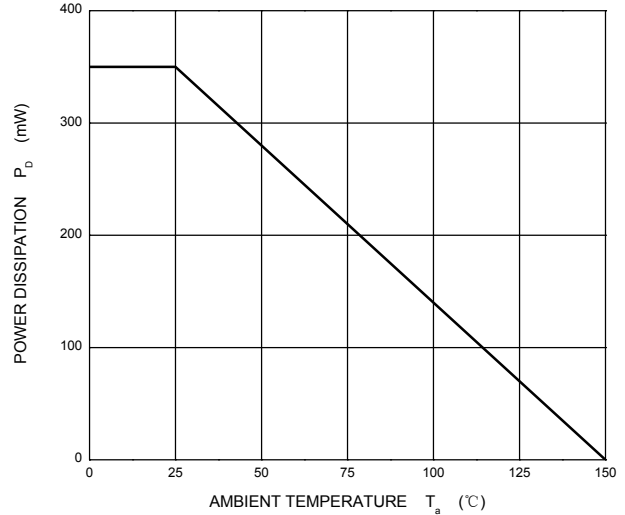
Reverse Characteristics



Capacitance Characteristics



Power Derating Curve





Package Dimensions

SOT-23

unit:mm

